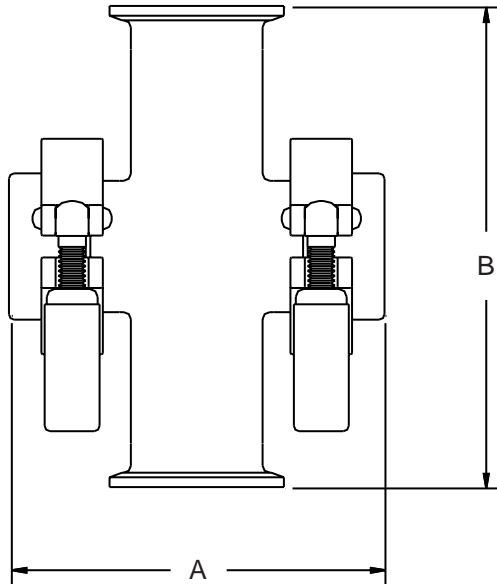
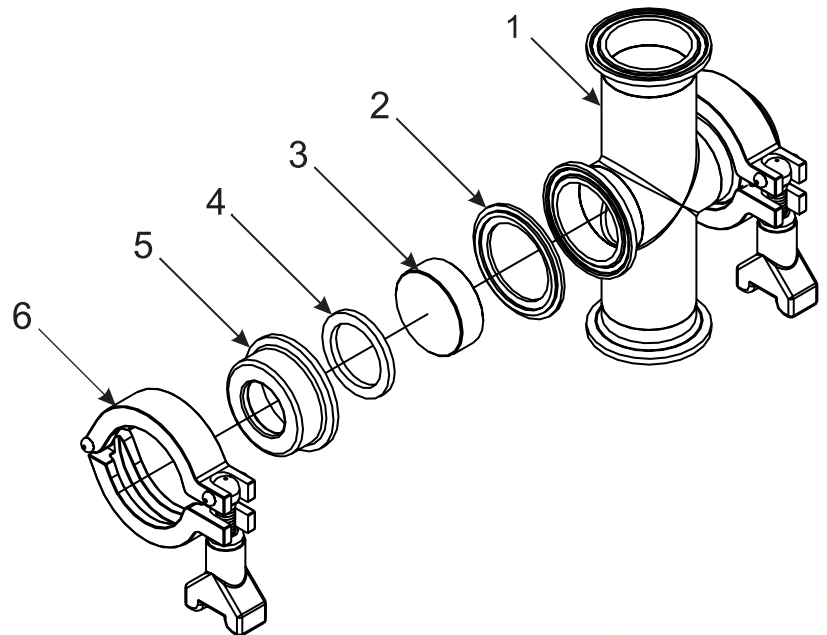


SP54-A Sight Glass



Dimensions		
Size.	A.	B.
1.5"	4.50"	5.50"
2.0"	4.75"	7.00"
2.5"	5.25"	7.00"
3.0"	5.75"	7.50"
4.0"	7.25"	9.00"

SP54-A-SG Sight Glass is rated for 450°F Max @ 325 PSI Max



Item #	Part Number	Description	Qty.
1	SP54-9-Size	Sight Glass Body	1
2	SP40-Size	Gasket	2
3	SP54-A-SG-Size	Sight Glass	2
4	SP54-A-40-Size	Sight Glass Gasket	2
5	SP54SW-A-Size	Sight Glass Ferrule	2
6	SP13HC-Size	Heavy Duty Clamp	2

