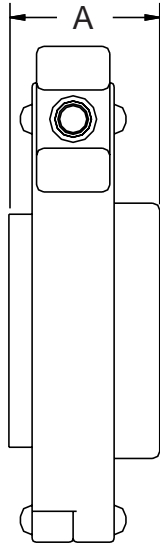
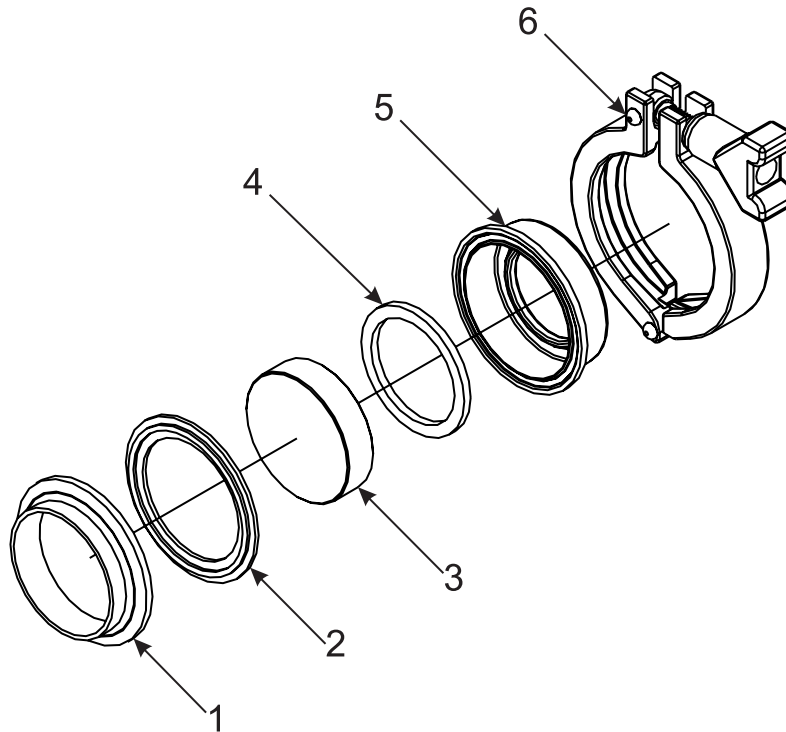


SP54SW-AA Sight Glass



Dimensions	
Size	A.
1.5"	1.25"
2.0"	1.25"
2.5"	1.25"
3.0"	1.25"
4.0"	1.50"

SP54-A-SG Sight Glass is rated for 450°F Max @ 325 PSI Max.



Item #	Part Number	Description	Qty.
1	SP54SW-A-Size	Sight Glass Ferrule	1
2	SP54-A-40-Size	Sight Glass Gasket	1
3	SP54-A-SG-Size	Sight Glass	1
4	SP40-Size	Gasket	1
5	SP14SW-Size	Short Weld Ferrule	1
6	SP13HC-Size	Clamp	1

